



Sauer Compressors

SAUER



CNG SOLUTIONS

Dependable up to 500 bar – anywhere, anytime, anygas.

High-pressure CNG compressors

At the heart of every CNG system stands the high-pressure compressor. Sauer CNG compressors and boosters are specially designed for natural gas applications and represent the most efficient and safe solution for all kinds of CNG systems.

- Built and designed for continuous operation under heavy duty conditions
- Proven in the most demanding conditions in industry and offshore applications worldwide
- Available as part of a CNG systems or as single units for OEM companies and packagers

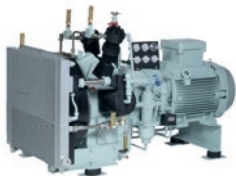


//// Tornado

Tornado series for compact refuelling stations and small fleets

Tornado WP4325 BasSeal^{CNG}

Gas Inlet Pressure:	0,05 barg	Flow Rate:	up to 24 m ³ /h
Gas Outlet Pressure:	300 barg	Rated Power:	11–13 kW



//// Hurricane

Hurricane series for all kinds of refuelling stations and medium to large fleets

Hurricane WP4331 BasSeal^{CNG}

Gas Inlet Pressure:	0,05–0,2 barg	Flow Rate:	up to 38 m ³ /h
Gas Outlet Pressure:	300 barg	Rated Power:	15–18 kW

Hurricane WP4341 BasSeal^{CNG}

Gas Inlet Pressure:	0,05–0,2 barg	Flow Rate:	up to 80 m ³ /h
Gas Outlet Pressure:	300 barg	Rated Power:	22–26 kW

Hurricane WP4351 BasSeal^{CNG}

Gas Inlet Pressure:	0,05–0,2 barg	Flow Rate:	up to 140 m ³ /h
Gas Outlet Pressure:	300 barg	Rated Power:	45–52 kW



//// 6000 series

6000 series for big refuelling stations and large fleets

6000 series BasSeal^{CNG}

Gas Inlet Pressure:	up to 20 barg	Flow Rate:	350–1100 m ³ /h
Gas Outlet Pressure:	300 barg	Rated Power:	up to 220 kW

Modular CNG systems Refuelling capacity from 10 vehicles per day

From medium to large fleets, Sauer Compressors developed a modular CNG system that can be adapted to the needs of medium-sized businesses with an own fleet up to the demands of large-sized fuelling station operators. The modules can be equipped exactly to the needs of the customer, but still remain flexible in size and location. Additional modules are easily added and adapted to changing needs.

All modules include:

- Specification to PED(2014/68/EU) and ATEX compliant
- Gas detector, lighting

Module M1: Control System

- Control cabinet

Module M2: Gas Inlet System

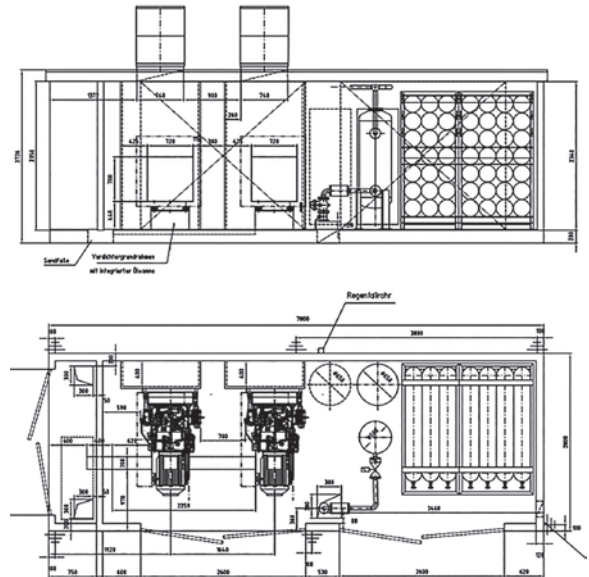
- Gas inlet system
- Gas dryer, gas filter
- Blowdown vessel

Module M3: CNG compressor

- Single or multiple compressor modules
- High pressure compressor with 24 up to 1250 m³/h capacity
- Pressure transmitters and instrumentation

Module M4: CNG storage

- High-pressure gas storage cylinders and priority bank from 1500l



Your benefits:

- ✓ Designed and manufactured separately
- ✓ Inspected and tested separately
- ✓ Reusable and exchangeable
- ✓ Shorter planning & construction time
- ✓ Dismantling and maintenance friendly design
- ✓ Fast adaption to the actual needs
- ✓ Reduced spare parts inventory
- ✓ Time savings and cost reduction



Customised solutions

Tailormade solutions, engineered to customer requirements:

- Mother-Daughter refuelling systems
- Refuelling systems for slow and fast filling processes
- Stationary as well as transportable complete CNG refuelling systems

For detailed consultancy please contact our CNG experts via sales@sauercompressors.de.

Your local partner:

J.P. Sauer & Sohn Maschinenbau GmbH
P.O. Box 92 13, 24157 Kiel/Germany

PHONE + 49 431 3940-0
FAX + 49 431 3940-24
E-MAIL info@sauercompressors.de
WEB www.sauercompressors.com

We reserve the right to make technical changes without prior notice.
Please visit www.sauercompressors.com for the latest version of the brochure.

03/2018 [suw | s+k], pictures: Zukunft ERDGAS/Danny Kurz (title), Renard, Sauer&Sohn

